

- ***Small product size (40%-60% less than traditional products)***
- ***The whole lamp is integrated, smoother and more compact***
- ***Simple not simple, high lumen, high light efficiency***
- ***The lens can be replaced on site by removing a screw Lumen and CCT Selectable***
- ***120-277V Input(347-480V Optional)/ Power Selectable***
- ***15'*7.8'*1.7 ' and 18'*11'*1.7 ' Sizes , can be joined or connected***
- ***DLC V5.1 Premium***
- ***Optional with Sensor***
- ***High Density Packaging for Logistics Cost Optimization***

PRODUCT DESCRIPTION

Linear High Bay is built from the ground up for performance and versatility. Deployable in damp locations and temperatures ranging from -40° C to 50° C, this precisely constructed fixture is ideal for virtually all indoor commercial use.

FEATURES

- Clean, Modern, Compact Design, Precision-Designed Optics
- Die-cast Aluminum Housing and Heat Sink
- First-Class Thermal Management,
- 120-277V Universal Input (120-347, 347-480V Optional)
- 0-10V Dimming Comes Standard
- Power Select Technology: 3-Step Wattage Selectable ° /Optional single-power products
- CCT Selectable/Optional single-color temperature products
- Can be interconnected/joined
- 90° Distribution Comes Standard (60° ,90° Aisle Distribution Optional)
- Stand Alone PNP Sensor Available, Sensor Receptacle Pre-installed
- Emergency Backup Options Available, Sold Separately
- 50,000-hour L70 lumen maintenance meet DLC 5.1
- Standard 0-10V dimming, 10%-100% range
- Ambient Operating Range: -40°C to +50°C (-24°F to +122°F)
- Mercury and UV free. RoHS components
- UL Listed for Damp Locations ; FCC Part 15B, Class A
- 5 Year Warranty

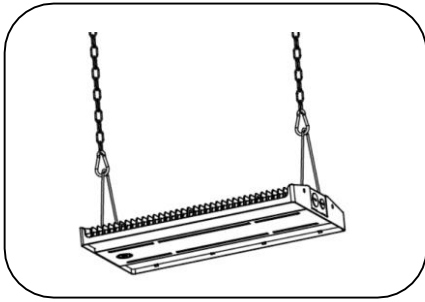
SUITABLE APPLICATIONS

Warehouse/ Gym/ Manufacturing/ Retail/ Distribution Center/ Hangars

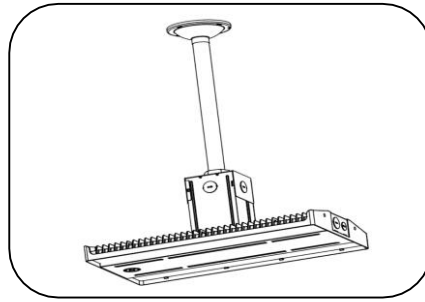
ORDERING GUIDE

Type	Model	CCT (K)	Voltage (V)	Weight (lb)	Lumen (LM)	Power (W)	LPW (lm/W)	Beam Angel	PF	CRI Ra
Power & CCT Selectable	E2130T3_802CCTW01	2CCT:4000/5000	120~277/120~347/347~480	3.31	12000-15000-18000	80-100-120	150	60° / 90° /120°	≥0.9	≥80
	E2165T3_802CCTW01	2CCT:4000/5000	120~277/120~347/347~480	3.31	15000-18000-23250	100-120-155	150	60° / 90° /120°	≥0.9	≥80
	E2215T3_802CCTW01	2CCT:4000/5000	120~277/120~347/347~480	5.95	18000-23250-30000	120-155-200	150	60° / 90° /120°	≥0.9	≥80
	E2260T3_802CCTW01	2CCT:4000/5000	120~277/120~347/347~480	5.95	23250-30000-36000	155-200-240	150	60° / 90° /120°	≥0.9	≥80
	E2320T3_802CCTW01	2CCT:4000/5000	120~277/120~347/347~480	7.05	30000-36000-45000	200-240-300	150	60° / 90° /120°	≥0.9	≥80
	E2500T3_802CCTW01	2CCT:4000/5000	120~277/120~347	12.34	46500-60000-72000	310-400-480	150	60° / 90° /120°	≥0.9	≥80
Single Power & CCT	E2130W_8040W01	3000/3500/4000/5000	120~277/120~347/347~480	3.09	18000	120	150	60° / 90° /120°	≥0.9	≥80
	E2165W_8040W01	3000/3500/4000/5000	120~277/120~347/347~480	3.09	23250	155	150	60° / 90° /120°	≥0.9	≥80
	E2215W_8040W01	3000/3500/4000/5000	120~277/120~347/347~480	5.73	30000	200	150	60° / 90° /120°	≥0.9	≥80
	E2260W_8040W01	3000/3500/4000/5000	120~277/120~347/347~480	5.73	36000	240	150	60° / 90° /120°	≥0.9	≥80
	E2320W_8040W01	3000/3500/4000/5000	120~277/120~347/347~480	6.61	45000	300	150	60° / 90° /120°	≥0.9	≥80
	E2500W_8040W01	3000/3500/4000/5000	120~277/120~347	11.90	72000	480	150	60° / 90° /120°	≥0.9	≥80

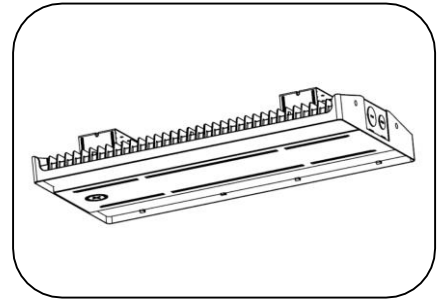
Accessories



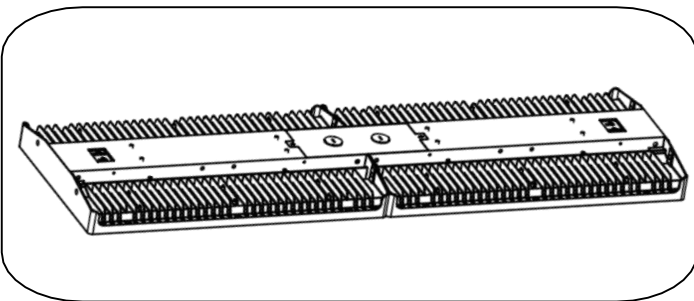
Suspension Mount



Pendant Mount



Surface Mount



Joinable Mount

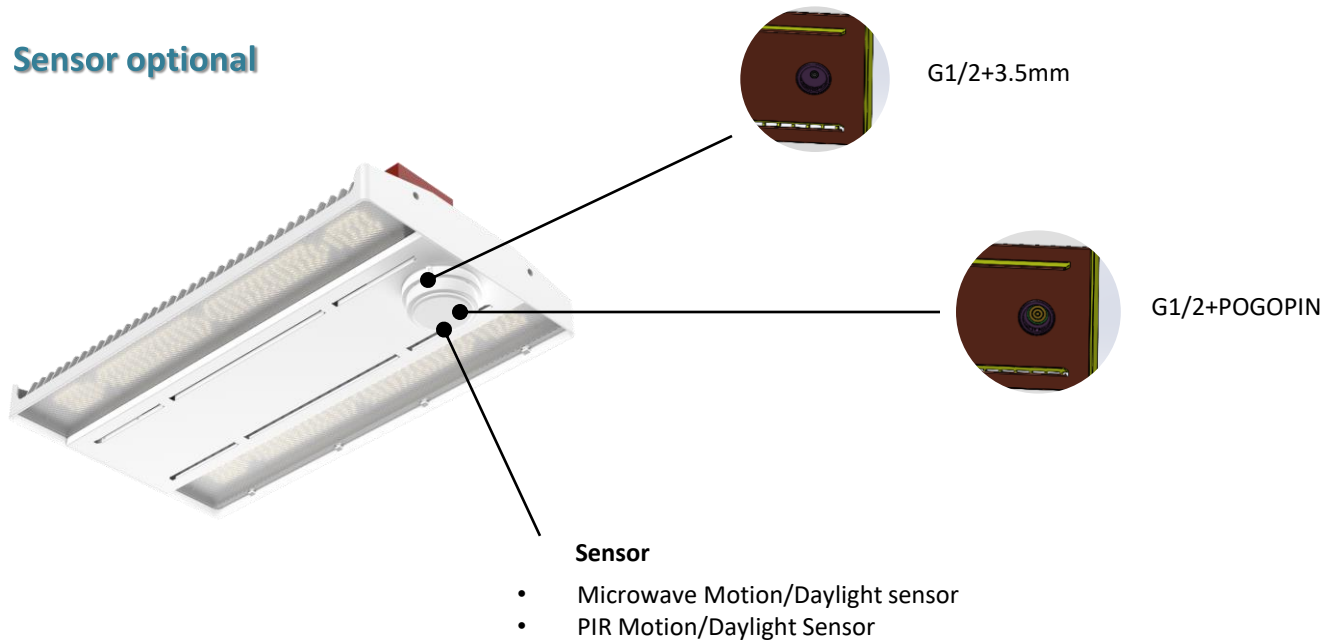
- The V-Hook and chain are included as accessories with the lamp
- All other accessories are optional

Sensor optional

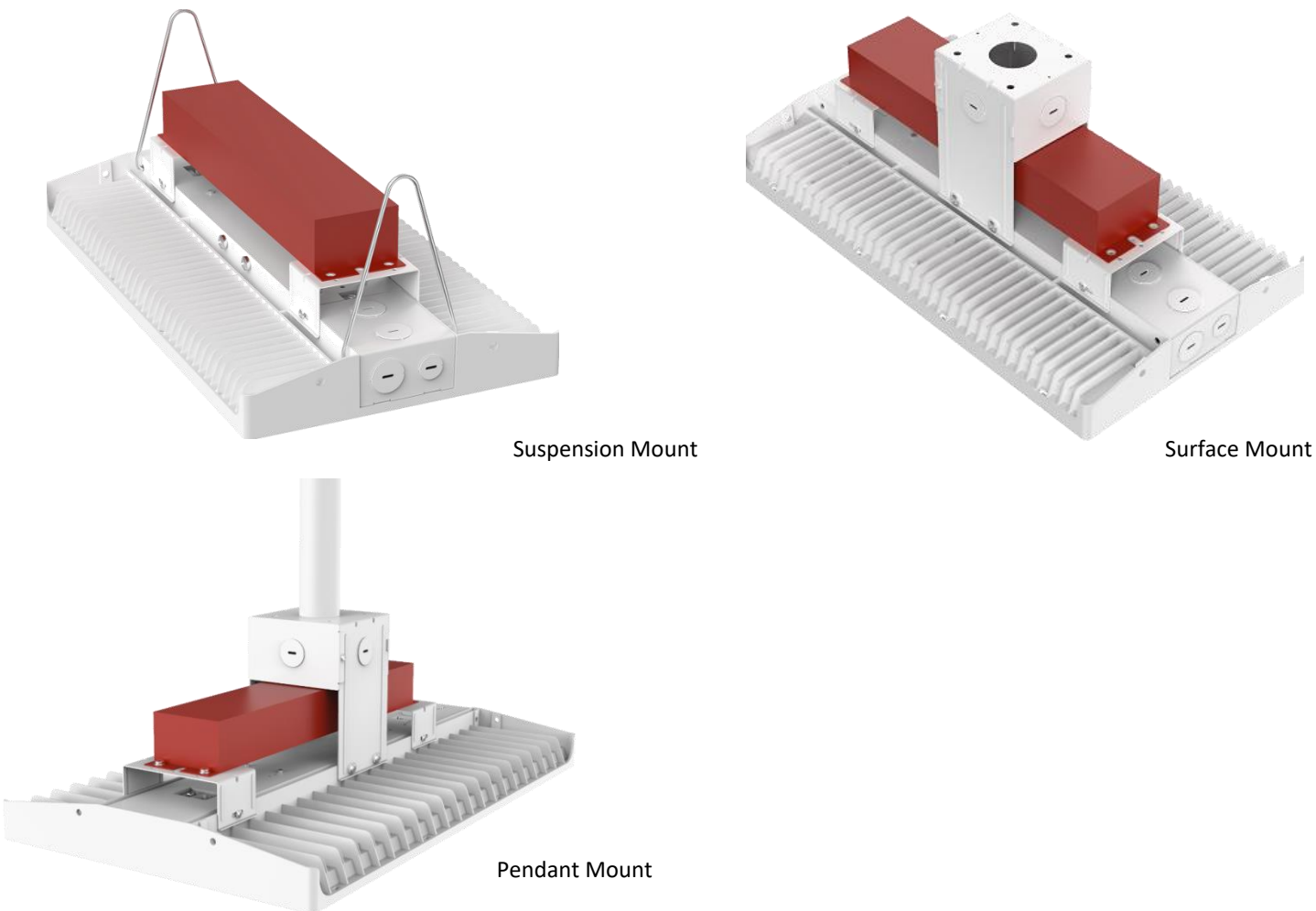


- Emergency Backup Options Available*
- Sensor Receptacle Pre-Installed, Plug and Play Sensor Available

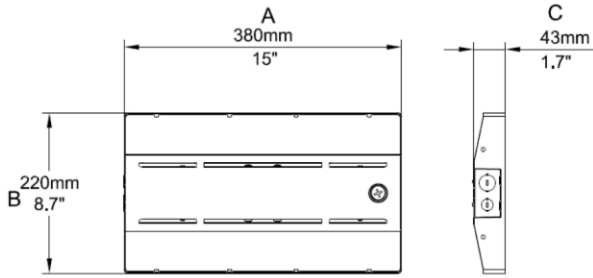
Sensor optional



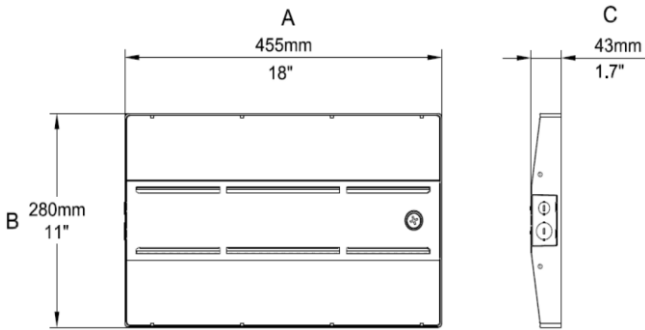
Emergency optional



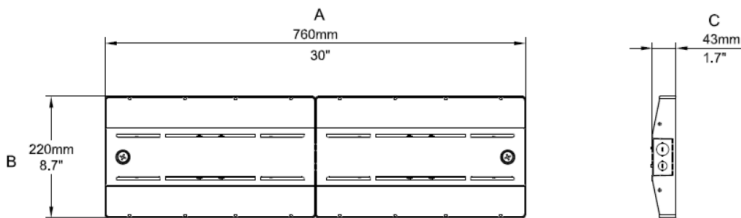
Basic version Dimensions



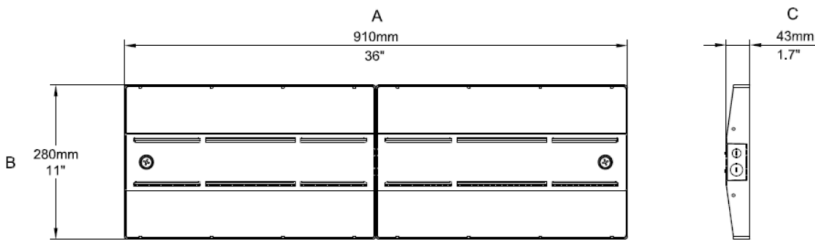
SYMBOL	MIN	TYP	MAX	UNIT
A	47.68	47.76	47.8	inch
B	23.66	23.74	23.8	inch
C	-	1.42	1.5	inch



SYMBOL	MIN	TYP	MAX	UNIT
A	47.68	47.76	47.8	inch
B	23.66	23.74	23.8	inch
C	-	1.42	1.5	inch



SYMBOL	MIN	TYP	MAX	UNIT
A	47.68	47.76	47.8	inch
B	23.66	23.74	23.8	inch
C	-	1.42	1.5	inch



SYMBOL	MIN	TYP	MAX	UNIT
A	47.68	47.76	47.8	inch
B	23.66	23.74	23.8	inch
C	-	1.42	1.5	inch

Model Number	Length (in)	Width(in)	Depth(in)	WEIGHT(ibs)
E2130T3_802CCTW01	15	8.7	1.7	3.31
E2165T3_802CCTW01	15	8.7	1.7	3.31
E2215T3_802CCTW01	18	11	1.7	5.95
E2260T3_802CCTW01	18	11	1.7	5.95
E2320T3_802CCTW01	30	8.7	1.7	7.05
E2500T3_802CCTW01	36	11	1.7	12.34

EM version Dimensions

Model Number	Pack Quantity	Quantity of single trays	Master Carton Size	Number of trays	Container loading quantity(pc/53FT)
E2130T3_802CCTW01	1 pcs	392	1.250*1000*120mm	30 PTU	11760pcs
E2165T3_802CCTW01	1 pcs	392	1.250*1000*120mm	30 PTU	11760pcs
E2215T3_802CCTW01	1 pcs	280	1.250*1000*120mm	30 PTU	8400pcs
E2260T3_802CCTW01	1 pcs	280	1.250*1000*120mm	30 PTU	8400pcs

